

Rim Cylinder



Application

Compatible with residential and commercial surface mounted door locksets. Interfaces with locksets of major brands. Suits wide range of lock mechanisms.

Operation

360° rotation by operating key.

Materials

Body and plug: high quality brass
Tail: steel
Pins: nickel silver and stainless steel

Standard finish

Nickel chrome matt, nickel chrome, shiny brass

Special finishes

Antique bronze, black, antique brass, PVD

Cylinder mechanism

Mul-T-Lock's unique, high precision pin tumbler system.

Keys

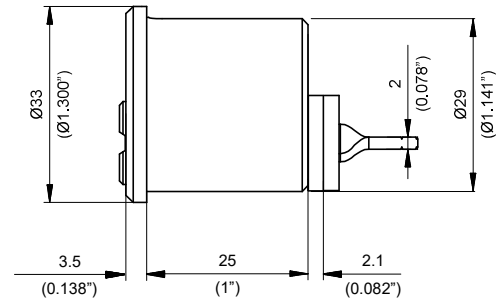
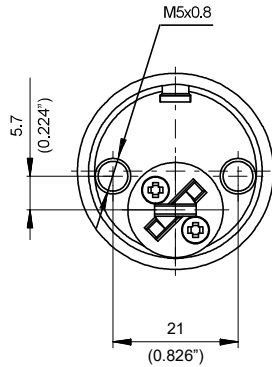
Reversible nickel silver key with plastic key head and colored insert. Also available in all nickel silver.

Cylinder options

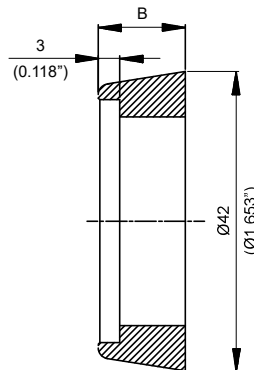
- Classic, Interactive[®]+, MT5[®] platforms
- '3 IN 1' (changeable combination)
- Keyed different, keyed alike
- Master keyed
- Variety of tails

Standards

ISI950



Spacer ring



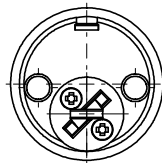
B	
mm	Inch
Flat ring**	
5.7*	0.224*
8.9	0.350
12.2	0.480
15.5	0.610

*Supplied as standard

**For rim application

Tail options

Horizontal tail
P/N 86000005



Vertical tail
P/N 86000014

