

# Hercular® Deadbolt



**Double cylinder**



**Single cylinder with thumbturn**

## Application

High Security deadbolt system for commercial and residential doors.

## Operation

90° key rotation throws the bolt 1" toward the frame, interlocking two hardened ball bearings with the strike to increase jimmying resistance.

## Materials

Ring and cylinder: solid brass  
Bolt anti drilling ring: hardened steel  
Strike: steel  
Pins: nickel silver and stainless steel

## Standard finish

Nickel chrome matt, nickel chrome, PVD

## Special finish

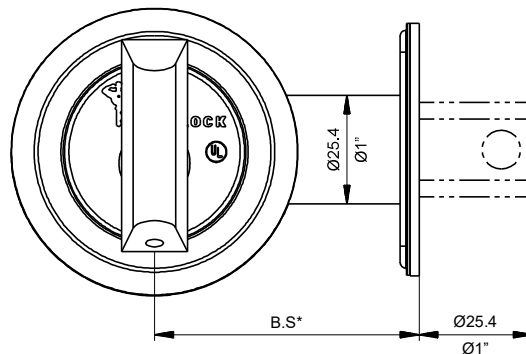
Antique brass, 10B

## Lifetime finishes

US3, US26, US26D, US5A, US10B6

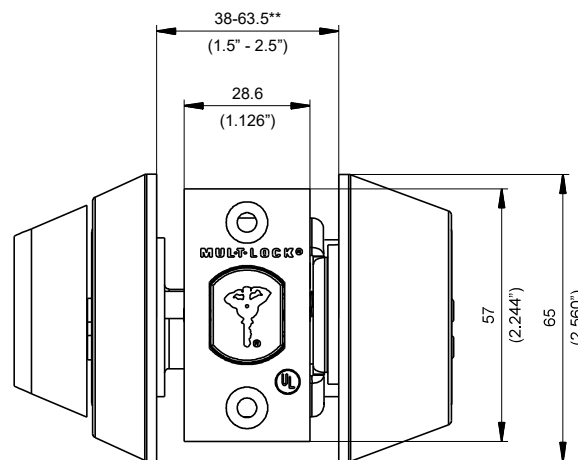
## Additional features

- Suitable for two backsets, no need for different parts.
- Easy and friendly to install.
- Easy conversion between standards and drive-in.
- The changeable faceplate has an expanded angle for installation on bevelled doors.
- Supplied as standard with 1" (25 mm) throw.
- Optional as double or single cylinder.
- Thumbturn tail self-adjustable to door thickness.
- Option for captive key deadbolt
- Thumbturn can be set horizontally or vertically in locked position.



	B.S*
Inch	2 <sup>3</sup> / <sub>8</sub>
mm	60
Inch	2 <sup>3</sup> / <sub>4</sub>
mm	70

\*Adjustable backset



\*\*Door thickness (spacers required for doors less than 38 mm thick)



# Hercular® Deadbolt

## Cylinder mechanism

Mul-T-Lock's unique, high precision pin tumbler system.

## Keys

Reversible nickel silver key with plastic key head and colored insert for identification. Also available in all nickel silver.

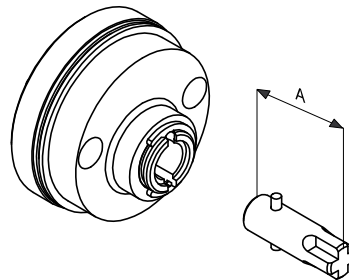
## Cylinder options

- Classic, Interactive®+, MT5® platforms
- Keyed different, keyed alike
- Master keyed
- '3 IN 1' (changeable combination)

## Standards

- UL437 - pick and drill resistance
- UL - fire rated bolt
- Conforms to ANSI GRADE 1

## Hercular thumbturn tails



Door thickness		A		Tail P/N
Inch	mm	Inch	mm	
Up to 2	Up to 50.8	0.92	23.5	22900271
2 - 2.5	50.8-63.5	1.22	31	22900275
2.5 - 3	63.5-76.2	1.5	38.5	22900276

## Captive deadbolt



Can be altered by the user to function as a double or single cylinder deadbolt.

