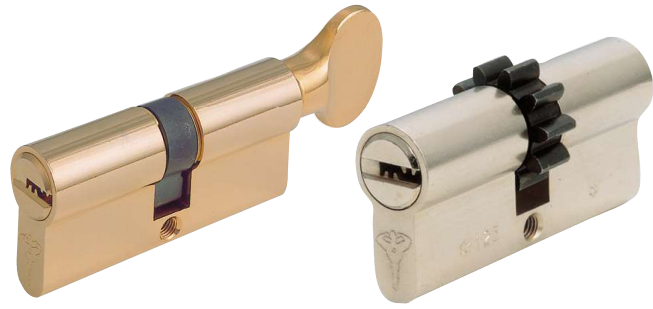


Euro Profile Cylinder



Application

Compatible with locks and lock cases using Euro profile cylinder.

Operation

360° rotation by operating key or thumbturn. Standard double cylinder, full key insertion disengages other side.

Materials

Body and plug: high quality brass
Cam and cogwheel: steel
Pins: nickel silver and stainless steel

Standard finishes

Nickel satin, brass, shiny brass

Special finishes

Nickel chrome, antique brass

Cylinder mechanism

Mul-T-Lock's unique, high precision pin tumbler system.

Keys

Reversible nickel silver key with plastic key head and colored insert. Also available in all nickel silver.

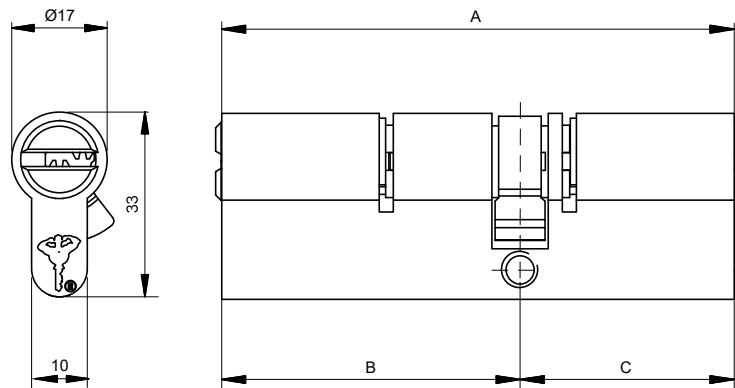
Cylinder options

- Classic, Interactive[®]+, MT5[®] platforms
- '3 IN 1' (changeable combination)
- Keyed different, keyed alike
- Master keyed
- Variety of thumbturns, cams and cogwheels
- Emergency cylinder with both sides permanently operational

Standards

ISI 950, EN1303

Double cylinder



Single cylinder

